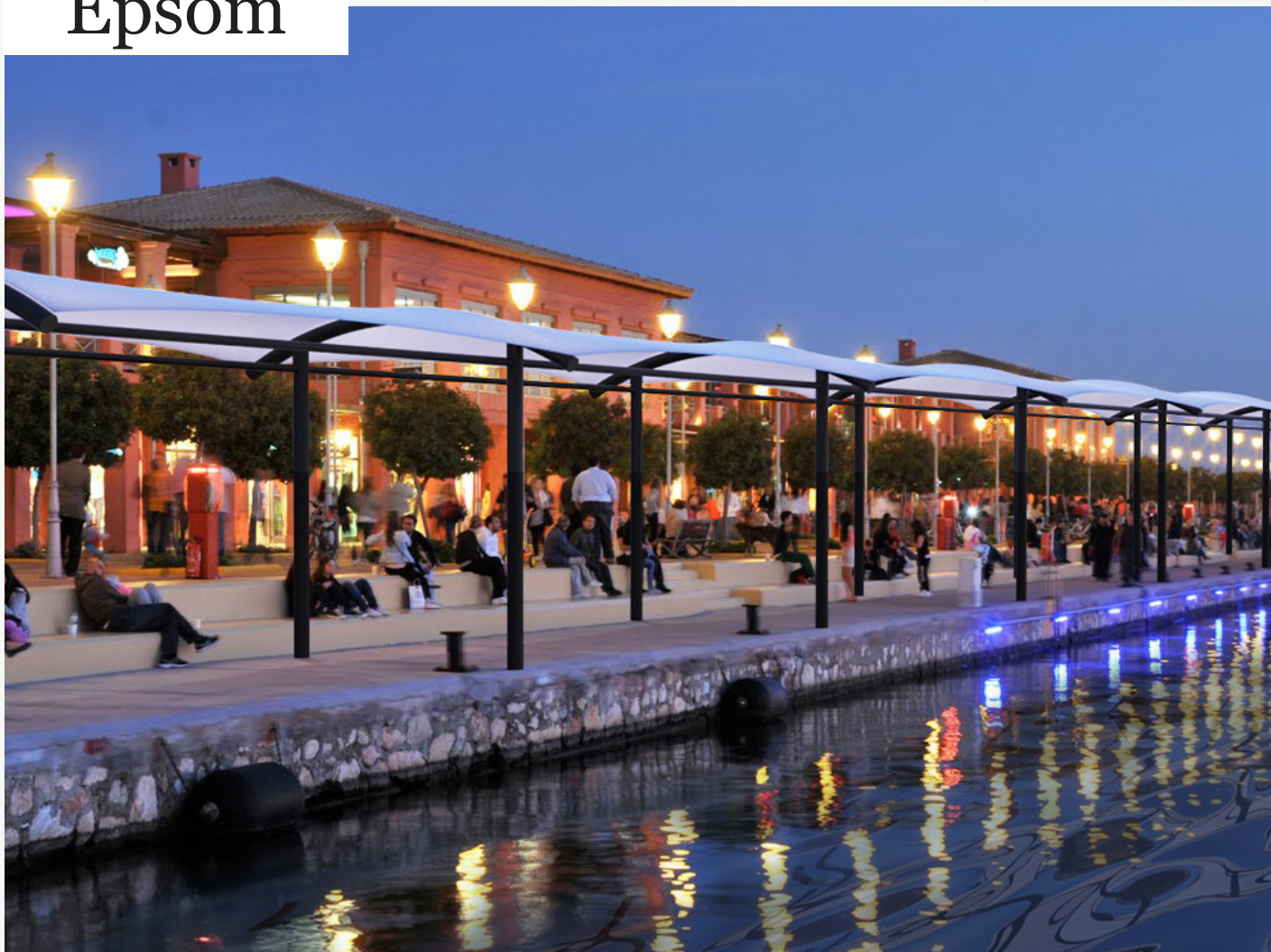


A tensile fabric barrel-vault walkway

Epsom



- Wide range of fabric colours available
- Fully adaptable including custom designs
- Warranted for ten years under tension
- ArcCan installation teams Operate worldwide

The Epsom is a fully engineered tensile fabric barrel vault walkway canopy. Fabricated from H/D tubular steel with patterned tensile fabric canopies, these structures provide a high quality stylish alternative to polycarbonate clad structures. The Epsom walkway is modular and comes in a variety of sized modules making it very versatile, fulfilling a wide range of applications with ease.

Specifications

Epsom

A tensile fabric barrel-vault walkway



Framework

Heavyweight grade tubular steel legs and struts with rolled CHS rafter spars, all zinc and powder coated to RAL colour of choice, all fixings either A2/A4 stainless or galvanised steel.

Fabric

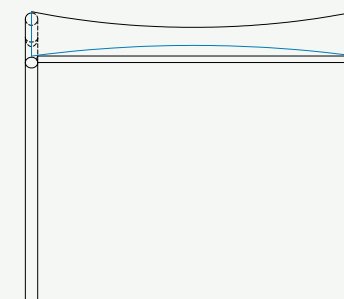
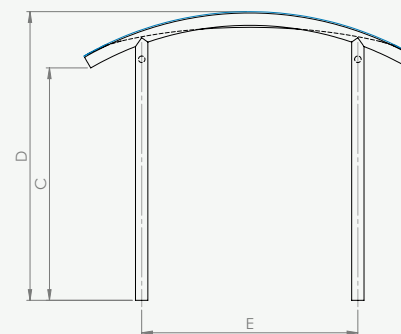
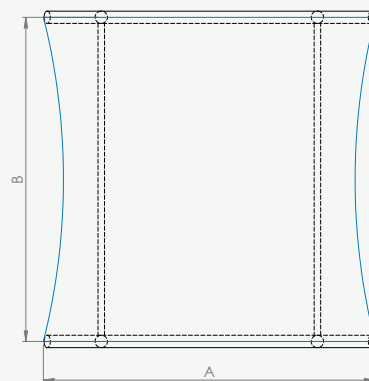
Architectural PVC coated polyester fabric, cut, patterned and welded to form a barrel vault with keder edges attached on top of the spars with aluminium extruded luff-tracks and tensioned with stainless steel membrane plates and boundary cables.

Foundations

We provide loading figures for your engineer to design foundations to suit local ground conditions. Typical details available on request.

Files

3D CAD models are available on request.



CODE	EPS30	EPS40	EPS50	EPS60	EPS70	EPS80
A	3	4	5	6	7	8
B	2-5	2-5	2-5	2-5	2-5	2-5
C	2.2	2.2	2.2	2.2	2.2	2.2
D	2.7	2.8	2.9	3.1	3.2	3.3
E	2	3	4	5	6	7

All measurements in metres and are approximate.