

A tensile fabric wall mounted single pitch canopy with tubular steel frame

## Sandhurst



- Wide range of fabric colours available
- Fully adaptable including custom designs
- Warranted for ten years under tension
- ArcCan installation teams operate Worldwide

The Sandhurst is a modular single pitch canopy with tensile fabric panels. Fabricated from circular & square hollow section welded steel tube it is a freestanding structure ideal as an entrance canopy or when extended by adding units, it creates a walkway. Engineered to withstand heavy rain, wind & snow, the units are available in a range of lengths & depths that allow flexibility of design.

# Specifications

## Sandhurst

A tensile fabric wall mounted single pitch canopy with tubular steel frame



### Framework

Heavyweight grade tubular steel legs and struts with SHS rafter spars, all zinc and powder coated to RAL colour of choice, all fixings either A2/A4 stainless or galvanised steel.

### Fabric

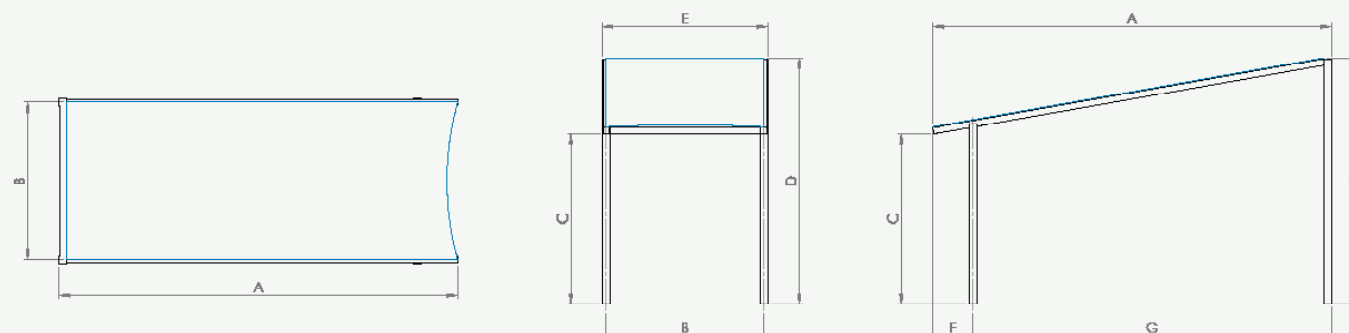
Architectural PVC coated polyester fabric fabricated into panels with keder edges attached on top of the spars and the rear cross-member with aluminium extruded luff-tracks and tensioned with membrane plates and boundary cables.

### Foundations

We provide loading figures for your engineer to design foundations to suit local ground conditions. Typical details available on request.

### Files

3D CAD models are available on request.



CODE	SAN2050	SAN2550	SAN3050	SAN3550	SAN4050	SAN4550	SAN5050
A	2	2.5	3	3.5	4	4.5	5
B	5.0	5.0	5.0	5.0	5.0	5.0	5.0
C	2.2	2.2	2.2	2.2	2.2	2.2	2.2
D	2.6	2.7	2.8	2.9	3	3	3.1
E	2.1 - 5.1	2.1 - 5.1	2.1 - 5.1	2.1 - 5.1	2.1 - 5.1	2.1 - 5.1	2.1 - 5.1
F	0.5	0.5	0.5	0.5	0.5	0.5	0.5
G	1.5	2	2.5	3	3.5	4	4.5

All measurements in metres and are approximate.